



(19) **United States**

(12) **Patent Application Publication** (10) **Pub. No.: US 2005/0131126 A1**

**Yang et al.** (43) **Pub. Date: Jun. 16, 2005**

(54) **PRODUCTION OF POLYMER NANOCOMPOSITES USING SUPERCRITICAL FLUIDS**

(52) **U.S. Cl. .... 524/445**

(76) Inventors: **Kumin Yang**, Hopewell, NJ (US);  
**Rahmi Ozisik**, Niskayuna, NY (US)

(57) **ABSTRACT**

Correspondence Address:  
**ARLEN L. OLSEN**  
**SCHMEISER, OLSEN & WATTS**  
**3 LEAR JET LANE**  
**SUITE 201**  
**LATHAM, NY 12110 (US)**

A method and system of forming a polymer nanocomposite. A layered clay and polymer are selected wherein  $|S_p - S_{scf}| > |S_c - S_{scf}|$  and  $|S_c - S_{scf}| \leq 2.0 \text{ (cal/cm}^3\text{)}^{0.5}$  are satisfied.  $S_p$ ,  $S_c$ , and  $S_{scf}$  is a solubility parameter of the polymer, clay, and a supercritical fluid (SCF), respectively. The polymer and clay are mixed to form a polymer-clay mixture. The polymer-clay mixture is melted to form a polymer-clay melt. The polymer-clay melt is initially contacted with the SCF while the SCF is subject to an initial pressure exceeding the critical pressure of the SCF and to a temperature exceeding the critical temperature of the SCF. The polymer-clay melt is further contacted with the SCF while the SCF is at a lower pressure below the critical pressure of the SCF to exfoliate the clay to form the nanocomposite having the exfoliated clay being substantially dispersed throughout the polymer of the polymer-clay.

(21) Appl. No.: **10/787,530**

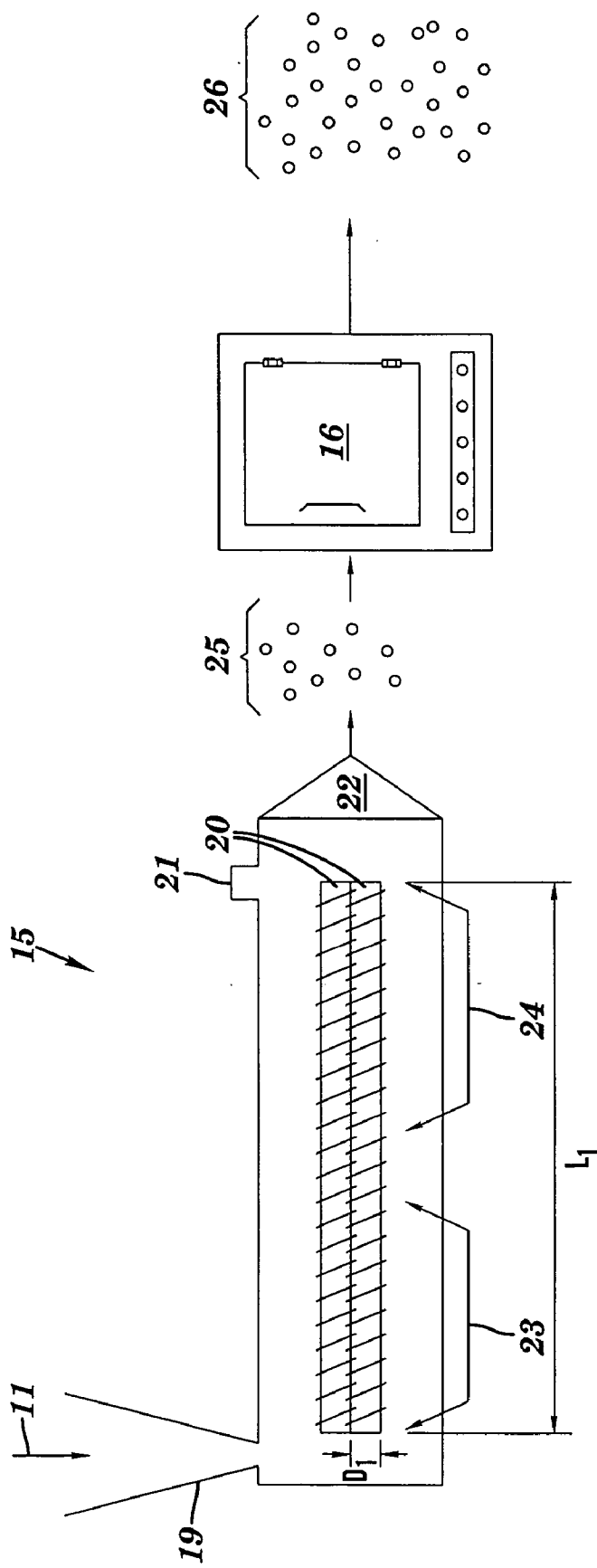
(22) Filed: **Feb. 26, 2004**

**Related U.S. Application Data**

(60) Provisional application No. 60/450,549, filed on Feb. 27, 2003.

**Publication Classification**

(51) **Int. Cl.<sup>7</sup> ..... C08K 3/34**



**FIG. 1**

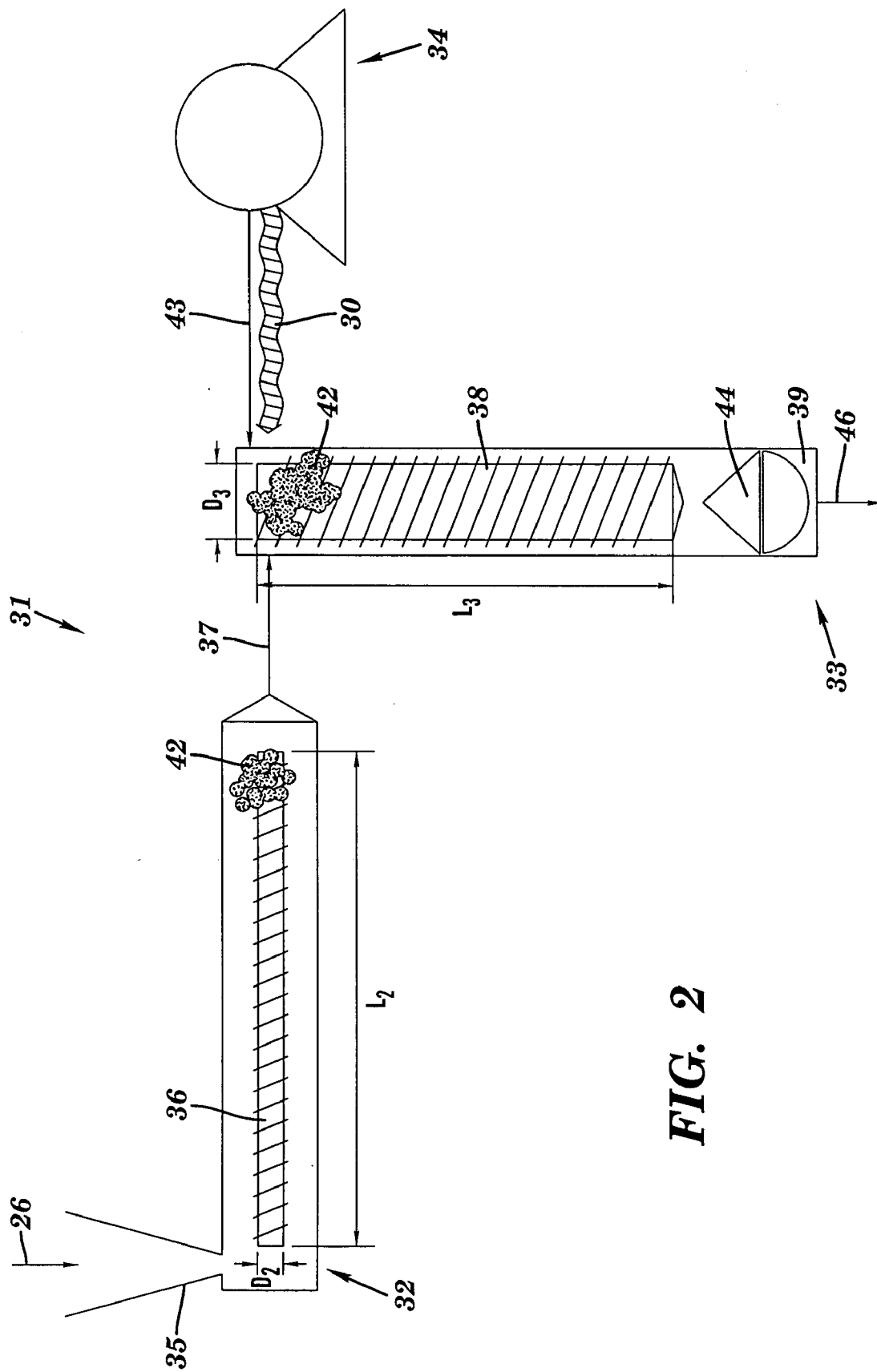
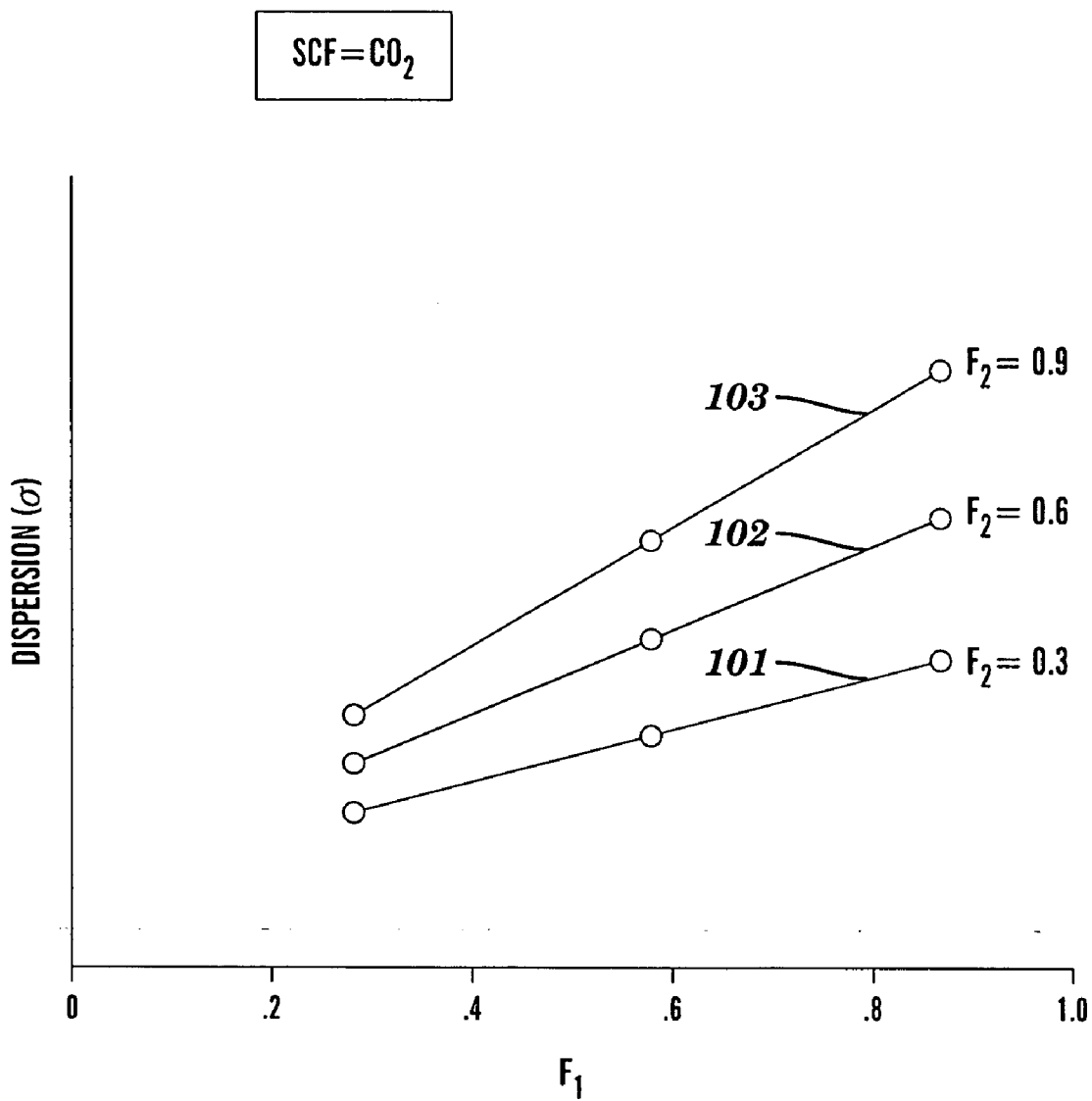


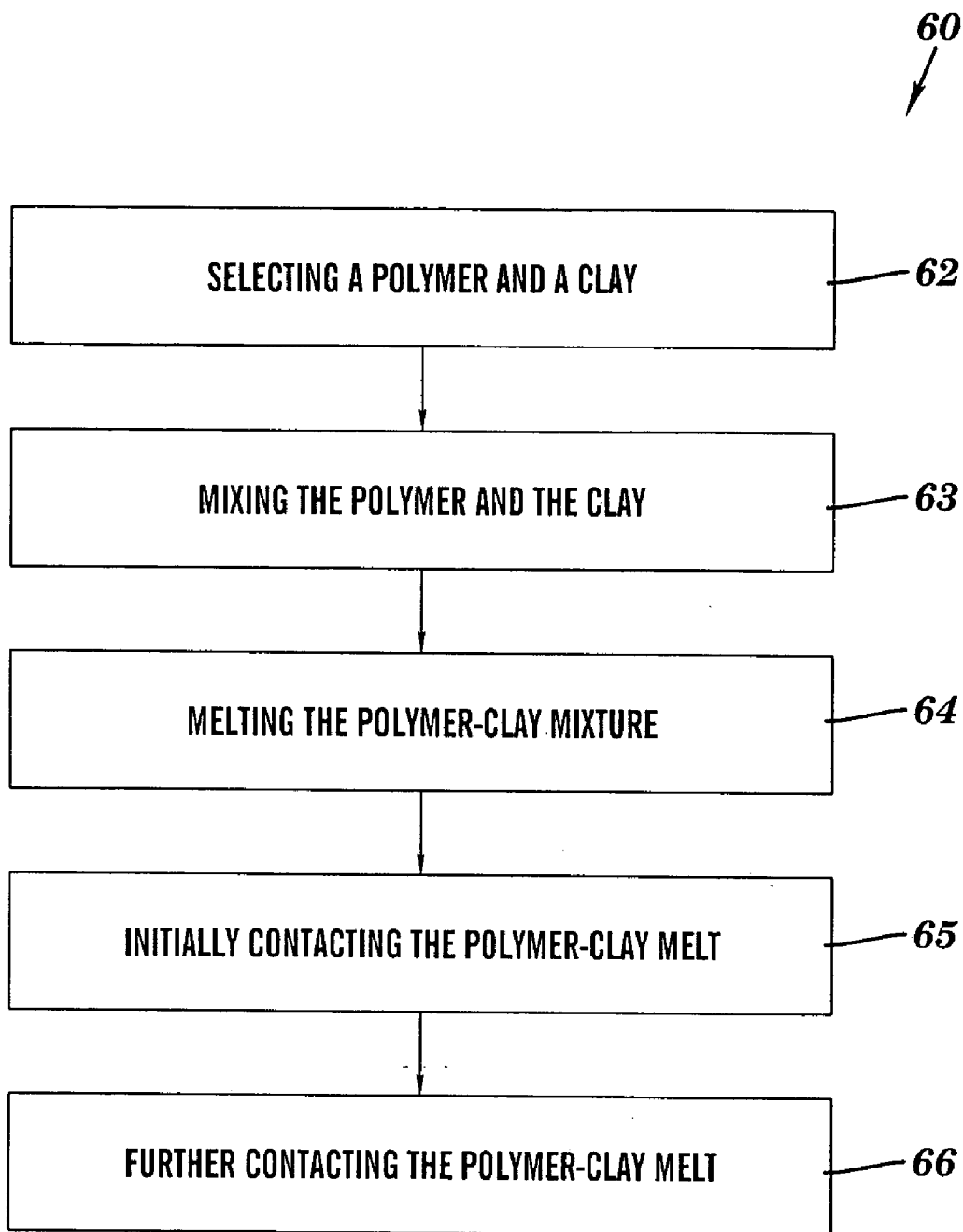
FIG. 2

Polymer	Sp	$ S_p - S_{scf} $	SCF	$S_{scf}$	Clay	Sc	$ S_c - S_{scf} $
PS	9.2	5.7	CO <sub>2</sub>	3.5	Fluoro-2	4.5	1
PS	9.2	5.7	CO <sub>2</sub>	3.5	Siloxane	5.4	1.9
HDPE	8	4.5	CO <sub>2</sub>	3.5	Fluoro-2	4.5	1
HDPE	8	4.5	CO <sub>2</sub>	3.5	Siloxane	5.4	1.9
LDPE	8	4.5	CO <sub>2</sub>	3.5	Fluoro-2	4.5	1
LDPE	8	4.5	CO <sub>2</sub>	3.5	Siloxane	5.4	1.9
PP	8	4.5	CO <sub>2</sub>	3.5	Fluoro-2	4.5	1
PP	8	4.5	CO <sub>2</sub>	3.5	Siloxane	5.4	1.9
PVDF	6.6	3.1	CO <sub>2</sub>	3.5	Fluoro-2	4.5	1
PVDF	6.6	3.1	CO <sub>2</sub>	3.5	Siloxane	5.4	1.9
PS	9.2	3.7	R-12	5.5	Fluoro-1	5.9	0.4
PS	9.2	3.7	R-12	5.5	Fluoro-2	4.5	1
PS	9.2	3.7	R-12	5.5	Siloxane	5.4	0.1
HDPE	8	2.5	R-12	5.5	Fluoro-1	5.9	0.4
HDPE	8	2.5	R-12	5.5	Fluoro-2	4.5	1
HDPE	8	2.5	R-12	5.5	Siloxane	5.4	0.1
LDPE	8	2.5	R-12	5.5	Fluoro-1	5.9	0.4
LDPE	8	2.5	R-12	5.5	Fluoro-2	4.5	1
LDPE	8	2.5	R-12	5.5	Siloxane	5.4	0.1
PP	8	2.5	R-12	5.5	Fluoro-1	5.9	0.4
PP	8	2.5	R-12	5.5	Fluoro-2	4.5	1
PP	8	2.5	R-12	5.5	Siloxane	5.4	0.1
nylon 6	10	0	HCFC, CFC	8	A-Ammonium	8	0
PET	11	0	HCFC, CFC	8	A-Ammonium	8	0
PVA-VOH	11	0	HCFC, CFC	8	A-Ammonium	8	0
POM	11	0	HCFC, CFC	8	A-Ammonium	8	0
PVDC	12	0	HCFC, CFC	8	A-Ammonium	8	0
PVOH	13	0	HCFC, CFC	8	A-Ammonium	8	0
nylon 6, 6	14	0	HCFC, CFC	8	A-Ammonium	8	0
PAN	15	0	HCFC, CFC	8	A-Ammonium	8	0

**FIG. 3**



**FIG. 4**



**FIG. 5**

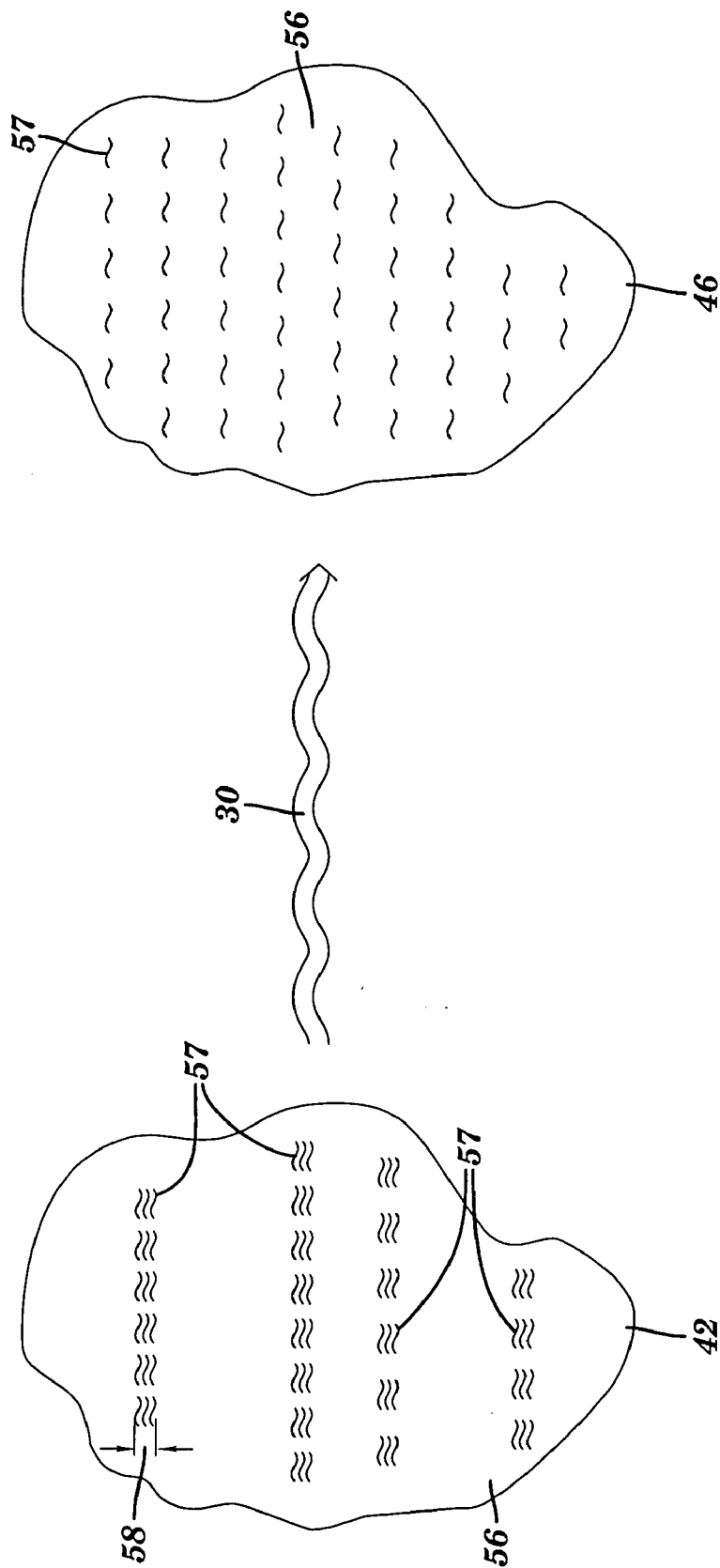


FIG. 6

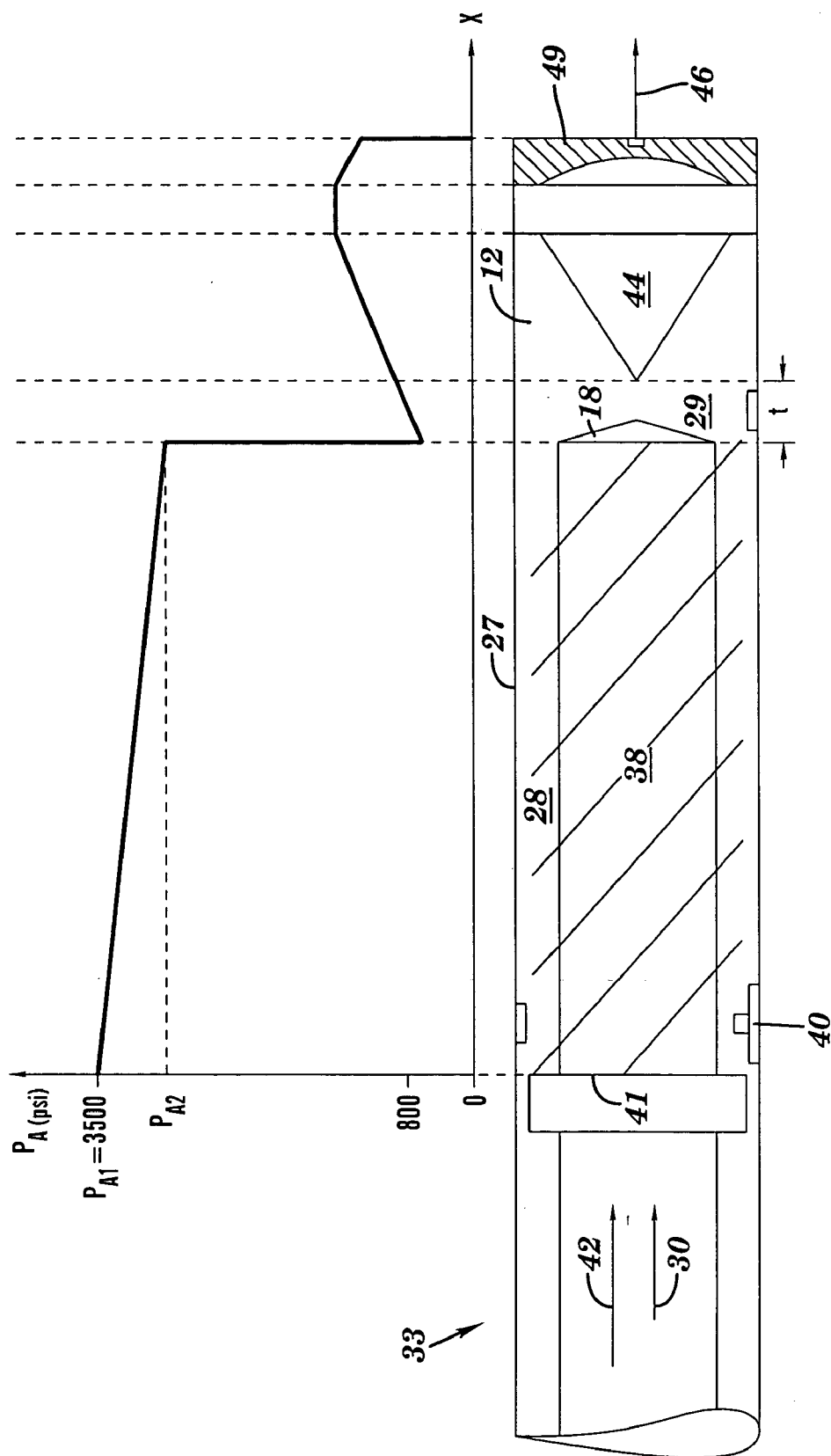
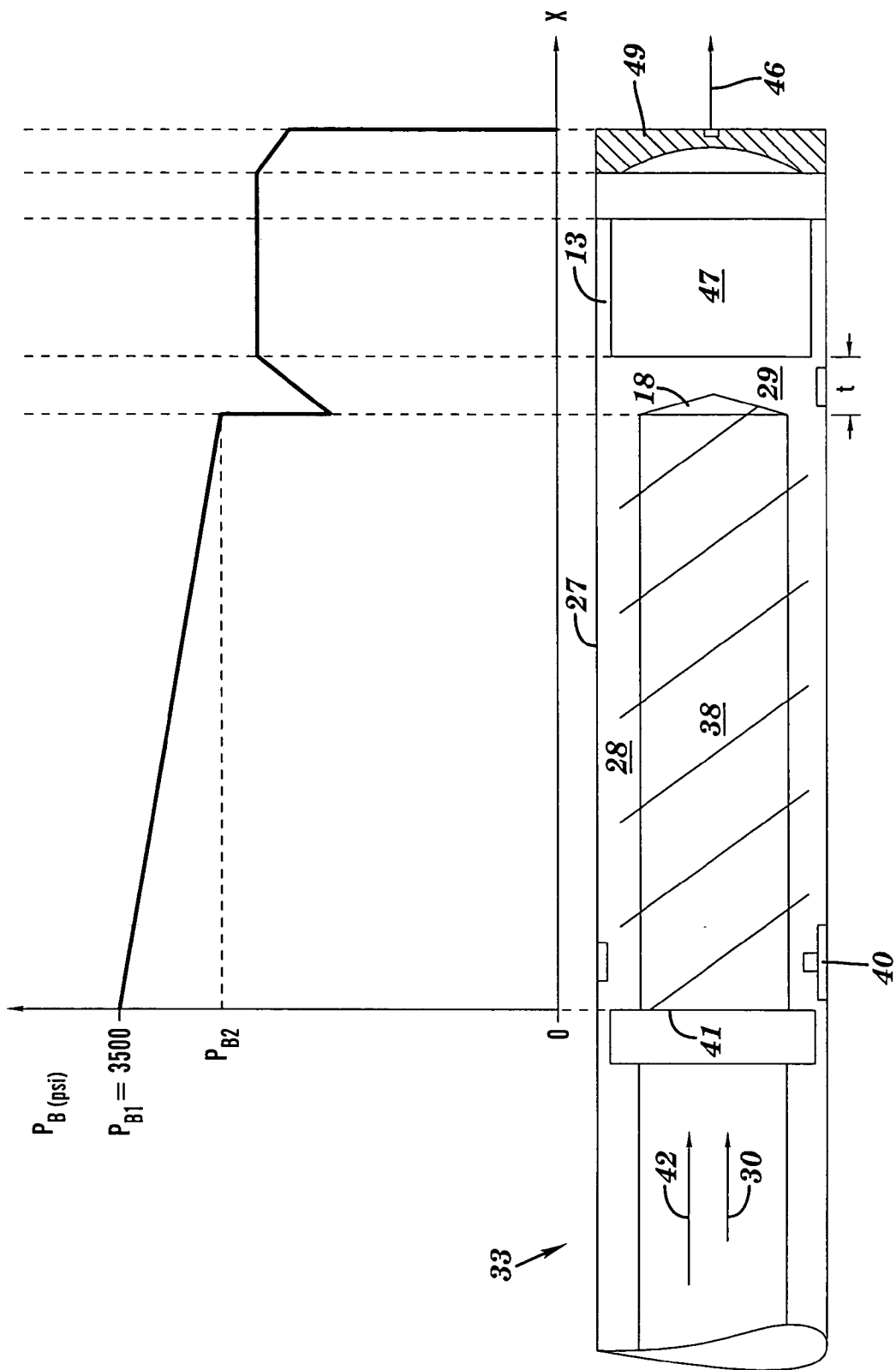


FIG. 7A





**FIG. 7B**

## PRODUCTION OF POLYMER NANOCOMPOSITES USING SUPERCRITICAL FLUIDS

### BACKGROUND OF THE INVENTION

#### [0001] 1. Field of Invention

[0002] The present invention relates to a method for production of reinforced polymer nanocomposites comprising a polymer matrix having dispersed therein swellable clays. In particular, the present invention relates to the reinforced polymer composites having particular properties and the method for its production using preferentially selected polymers, supercritical fluids, and clay intercalants.

#### [0003] 2. Related Art

[0004] Methods have been developed to facilitate the exfoliation of clays in polymer-clay mixtures to generate polymer nanocomposite compositions. However, none of the existing methods efficiently disperse the clay within the polymer. Therefore, a need exists for an exfoliation method for polymer-clay mixtures that will produce polymer nanocomposites having efficient dispersion of the clay throughout the polymer nanocomposite.

### SUMMARY OF THE INVENTION

[0005] The present invention provides a method for the production of polymer nanocomposites which overcomes the aforementioned deficiencies and others inter alia provides a method for maximum and efficient dispersion of the clay throughout the reinforced polymer.

[0006] One aspect of the present invention is a method of forming a polymer nanocomposite comprising the steps of: selecting a clay having a layered structure and a polymer, said selecting satisfying  $|S_p - S_{scf}| > |S_c - S_{scf}|$  and  $|S_c - S_{scf}| \leq 2.0$  (cal/cm<sup>3</sup>)<sup>0.5</sup>, wherein  $S_p$  is a solubility parameter of the polymer,  $S_c$  is a solubility parameter of the clay; and  $S_{scf}$  is a solubility parameter of a supercritical fluid (SCF); mixing the polymer and the clay to form a polymer-clay mixture; melting the polymer-clay mixture to form a polymer-clay melt; initially contacting the polymer-clay melt with the SCF while the SCF is subject to an initial pressure exceeding the critical pressure of the SCF and to a temperature exceeding the critical temperature of the SCF; and after said initially contacting step, further contacting the polymer-clay melt with the SCF while the SCF is subject to a lower pressure that is less than the critical pressure of the SCF so as to exfoliate the clay to form the nanocomposite having the exfoliated clay being substantially dispersed throughout the polymer-clay melt.

[0007] A second aspect of the present invention is a system for forming a polymer nanocomposite, comprising: a polymer-clay melt of a clay having a layered structure and a polymer; and a supercritical fluid (SCF) in physical contact with the polymer-clay melt, wherein the clay, the polymer, and the SCF collectively satisfy  $|S_p - S_{scf}| > |S_c - S_{scf}|$  and  $|S_c - S_{scf}| \leq 2.0$  (cal/cm<sup>3</sup>)<sup>0.5</sup>, and wherein  $S_p$  is a solubility parameter of the polymer,  $S_c$  is a solubility parameter of the clay; and  $S_{scf}$  is a solubility parameter of the SCF.

### BRIEF DESCRIPTION OF THE DRAWINGS

[0008] The features of the present invention will best be understood from a detailed description of the invention and

an embodiment thereof selected for the purpose of illustration and shown in the accompanying drawing in which:

[0009] FIG. 1 depicts a process schematic for mixing a polymer and clay, in accordance with embodiments of the present invention;

[0010] FIG. 2 depicts a process schematic for melting the polymer-clay mixture, in accordance with embodiments of the present invention;

[0011] FIG. 3 depicts a table of solubility parameters for polymers, supercritical fluids, and clays, in accordance with embodiments of the present invention;

[0012] FIG. 4 depicts dispersion curves denoting the degree of nonuniformity of a distribution of polymer particles in a polymer matrix, in accordance with embodiments of the present invention;

[0013] FIG. 5 is a flow chart of a method for making a polymer nanocomposite, in accordance with embodiments of the present invention;

[0014] FIG. 6 depicts an exfoliated polymer nanocomposite, in accordance with embodiments of the present invention; and

[0015] FIGS. 7A and 7B depict an extruder of FIG. 2 along with associated pressure profiles, in accordance with embodiments of the present invention.

### DETAILED DESCRIPTION OF THE INVENTION

[0016] Although certain embodiments of the present invention will be shown and described in detail, it should be understood that various changes and modifications may be made without departing from the scope of the appended claims. The scope of the present invention will in no way be limited to the number of constituting components, the materials thereof, the shapes thereof, the relative arrangement thereof, etc. . . . , and are disclosed simply as an example of an embodiment. The features and advantages of the present invention are illustrated in detail in the accompanying drawing, wherein like reference numeral refer to like elements throughout the drawings. Although the drawings are intended to illustrate the present invention, the drawings are not necessarily drawn to scale.

[0017] FIG. 1 depicts a process schematic for mixing a polymer and a clay comprising a fully intermeshing, corotating twin extruder 15 and a convection oven 16, in accordance with an embodiment of the present invention. The clay has a layered structure (e.g., a clay gallery). The extruder 15 may be a model such as the ZSK 30, Werner & Pfleiderer, and the like. The twin screw extruder 15 comprises an extruder hopper 19, screws 20, a vacuum port 21, and an extruder die 22. The length ( $L_1$ ) to diameter ( $D_1$ ) ratio ( $L_1/D_1$ ) of the screw 20 may be in a range of 20 to 50 (e.g., 30).

[0018] As shown in FIG. 1 and the step 63 of the FIG. 5, namely mixing the polymer and the clay to form a polymer-clay mixture, the step 63 is performed via the extruder 15. A mixture 11 of the polymer and the clay is dry-blended and fed into the extruder 15 via the extruder hopper 19 along with thermal stabilizers and lubricants. The ratio of polymer to clay in the mixture may be in a range of from about 50/50

percent to about 99/1 percent, by weight. Alternatively, the polymer and clay may be fed into the extruder 15 separately giving a final percent by weight of the polymer-clay mixture ranging from about 50/50 percent to about 99/1 percent by weight.

[0019] The polymer-clay mixture is kneaded in the first kneading block zone 23 with complete melting of the polymer upon exiting the zone 23. The polymer-clay mixture then enters the second kneading zone 24 where mechanical forces exerted by the extruder screws 20 of the extruder 15 disperse the clay within the polymer-clay mixture. As the polymer-clay mixture exits the kneading zone 24, a vacuum is applied to the extruder 15 via the vent 21 to remove any volatiles that may be present in the polymer-clay mixture. The polymer-clay mixture then passes through the extruder die 22 preforming the mixture into polymer-clay pellets 25. The pellets 25 are dried at a temperature from about 65° C. to about 85° C. for about 10 hrs to about 18 hrs in the convection oven 16 affording dried pellets 26. The extruder 15 operates at a temperature from about 200° C. to about 250° C., with a screw speed from about 200 rpm to about 500 rpm, and a throughput from about 10 kg/hr to about 400 kg/hr. The extruder die 22 operates at a temperature from about 200° C. to about 270° C.

[0020] FIG. 2 depicts a process schematic for melting the polymer-clay mixture, i.e. polymer-clay pellets 26 and initially contacting a polymer-clay melt 42, with a SCF 30 using a tandem single screw extrusion setup 31, in accordance of the present invention. The setup 31 comprises a primary single screw extruder 32, a secondary single screw extruder 33, and a positive displacement pump 34. The primary extruder 32 further comprises an extruder hopper 35, a single screw 36, and a delivery attachment 37. The length to diameter ratio ( $L_2/D_2$ ) of the screw 36 may be in a range of 15 to 30 (e.g.,  $L_2=32.3$  inches,  $D_2=1.5$  inches,  $L_2/D_2=21.5$ ). The extruder 32 may have a compression ration of, inter alia, 2.5. The secondary single screw extruder 33 comprises a single screw 38, an extruder die 39, a torpedo type breaker plate 44. The length to diameter ratio ( $L_3/D_3$ ) of the screw 38 maybe in a range of 5 to 15 (e.g.,  $L_3=17.2$  inches,  $D_3=2.0$  inches,  $L_3/D_3=8.6$ ).

[0021] As shown in FIG. 2 and the step 64 of FIG. 5, namely melting said polymer-clay mixture to form a polymer-clay melt, the polymer-clay pellets 26 are fed into the extruder 32 via the extruder hopper 35. The single screw 36 rotates from about 20 rpm to about 100 rpm. As the pellets 26 pass along the single screw 36, the pellets 26 are heated from about 170° C. to about 250° C. melting the pellets 26 resulting in a polymer-clay melt 42.

[0022] As shown in FIG. 2 and the step 65 of FIG. 5, namely initially contacting the polymer-clay melt 42 with the SCF 30 while the SCF is subject to an initial pressure exceeding the critical pressure of the SCF 30 and to a temperature exceeding the critical temperature of the SCF 30, the melt 42 then is delivered to the secondary single screw extruder 33 through the delivery attachment 37, in accordance with the present invention. The secondary extruder 33 operates from about 20 rpm to about 100 rpm. The positive displacement pump 34 injects the SCF 30 into the upstream portion of the extruder 33, via an injection valve assembly 43. Injection of the SCF 30 occurs at a

pressure from about 1,000 to about 3,500 pounds per square inch (psi) and at a speed from about 1.0 ml/min to about 10.0 ml/min.

[0023] When the SCF 30 is injected into the extruder 33, a pressure gradient is created within the extruder 33. An upstream pressure from about 1,000 psi to about 3,500 psi exists while a downstream pressure from about 500 psi to about 3,000 psi is initially maintained by the extruder die 39. The extruder die 39 is able to control and maintain the pressure within the extruder 33 from about 500 psi to about 3,500 psi. Due to the pressure gradient, the SCF 30 depressurizes along the extruder screw 38 and contacts the polymer-clay melt 42.

[0024] The SCF 30 preferentially migrates toward the clay gallery of the polymer-clay melt 42 because the SCF 30 is more soluble or thermodynamically miscible toward the clay than toward the polymer of the polymer-clay melt 42. The preferential migration of the SCF 30 toward the clay results in the clay being dispersed throughout the polymer-clay melt 42, i.e. exfoliation of the clay when the pressure is less than the critical pressure of the SCF 30. As the SCF 30 and the polymer-clay melt 42 travel through the extruder 33, the polymer-clay melt 42 is exfoliated and mixed as will be described infra in conjunction with FIGS. 7A and 7B. After exfoliation, the polymer-clay melt 42 is extruded via the extruder die 39 and exits the extruder die 33, resulting in a polymer nanocomposite 46 having the clay substantially dispersed throughout the polymer nanocomposite.

[0025] Using a co-rotating twin screw extruder and a tandem single screw extrusion line, as previously described, to form polymer nanocomposites is not meant to limit the scope of the production process in an embodiment of the present invention. Polymer nanocomposites can be produced using the co-rotating twin screw extruder and the tandem single screw extrusion line, the co-rotating twin screw extruder, the tandem single screw extruder, individually and combinations thereof in accordance with the method and system of the present invention.

[0026] FIG. 7A depicts the secondary extruder 33 of FIG. 2 along with an exemplary pressure profile  $P_A$  within the extruder 33, in accordance with embodiments of the present invention. The extruder 33 includes the torpedo type breaker plate 44. As shown in FIG. 7A, the polymer-clay melt 42 enters the extruder 33 at (or in the vicinity of) entrance 40 and the resulting polymer nanocomposite 46 exits the extruder 33 at the exit surface 49. The SCF 30 also enters the extruder 33 at (or in the vicinity of) entrance 40. Within the extruder 33, the SCF 30 is subject to the pressure  $P_A$  whose profile is depicted in FIG. 7A. The pressure to which the SCF 30 is subjected at or in the vicinity of entrance 40, and the pressure  $P_{A1}$  which the SCF 30 is subjected at the end 41 of the screw 38, is above the critical pressure  $P_{CRIT}$  of the SCF 30. The temperature to which the SCF 30 is subjected in the vicinity of entrance 40, and the temperature at which the SCF 30 is subjected at the end 41 of the screw 38, is above the critical temperature of the SCF 30. Therefore, the SCF 30 is in its supercritical state at or in the vicinity of the entrance 40 and at the end 41 of the screw 38.

[0027] In the example of FIG. 7A,  $P_{A1}=3500$  psi. For illustrative purposes, it is assumed that the  $P_{CRIT}=3000$  psi. The pressure  $P_A$  decreases along the screw 38 from  $P_{A1}$  to  $P_{A2}$ , wherein  $P_{A2}$  is the pressure at the end 18 of the screw

**38.** Due to contact between the clay and the SCF **30** as facilitated by satisfying Equations (7)-(8), exfoliation of the clay in the polymer-clay melt **42** occurs when the pressure  $P_A$  is below  $P_{CRIT}$ . Thus if  $P_{A2} < P_{CRIT}$  (i.e.,  $P_{A2} < 3000$  psi wherein  $P_{CRIT} = 3000$  psi) then the exfoliation will occur in region **28** along the portion of the screw **38** in which  $P_{A1} < P_{CRIT}$ . Region **28** exists between the screw **38** and the exterior surface **27** of the extruder **33**. Thus if  $P_{A2} < P_{CRIT}$ , then a pressure of  $P_{CRIT}$  and less than  $P_{CRIT}$  exists in region **28**.

**[0028]** However if  $P_{A2} \geq P_{CRIT}$ , then the pressure exceeds  $P_{CRIT}$  throughout region **28** and exfoliation will occur exclusively between the end **18** of the screw **38** and the exit surface **49** where the pressure is less than  $P_{CRIT}$ . Thus, the pressure is reduced to  $P_{CRIT}$  at some location between the end **18** of the screw **38** and the exit surface **49**. Note that the pressure profile  $P_A$  may have continuous portions (e.g., in region **28**) and also be essentially discontinuous at discrete locations such as at the end **18** of the screw **38**.

**[0029]** The value of  $P_{A2}$  relative to the pressure  $P_{A1}$  at the end **41** of the screw **38** may be controlled by the volume of region **28**.  $|P_{A2} - P_{A1}|$  is a monotonically decreasing function of the volume in region **28**. Moreover, if the thickness ( $t$ ) of the region **29** is diminished, then the magnitude of the pressure drop in region **29** in the vicinity of the end **18** of the screw **38** will be correspondingly reduced, so that the pressure drop in region **29** in the vicinity of the end **18** can be made as small as desired. Indeed, if the volume in region **28** is made sufficiently small to cause  $P_{A2} \geq P_{CRIT}$  and if the thickness ( $t$ ) of the region **29** is made sufficiently small, then it may be possible to constrain the pressure  $P_A$  to be above  $P_{CRIT}$  throughout the extruder **33**, such that the exfoliation of the clay in the polymer-clay melt **42** occurs entirely outside of the extruder **33**. Thus for the case of exfoliation of the clay occurring entirely outside of the extruder **33**, the pressure is above  $P_{CRIT}$  throughout the extruder **33** and the SCF **30** is subject to a pressure below  $P_{CRIT}$  after exiting the extruder **33** at the exit surface **49**. Therefore, the user of the present invention may design the extruder **33** to adjust the pressure  $P_A$  profile such that the exfoliation of the clay in the polymer-clay melt **42** occurs wherever desired, such as along a portion of the screw **38**, between the end **18** of the screw **38** (a volume **12**) and the exit surface **49**, outside the extruder **33**, etc.

**[0030]** FIG. 7B depicts FIG. 7A with the torpedo breaker plate **44** replaced by a plug type breaker plate **47**, in accordance with embodiments of the present invention. As shown in FIG. 7B and the step **66**, after said initially contacting step, further contacting the polymer-clay melt with the SCF while the SCF is subject to a lower pressure that is less than the critical pressure of the SCF so as to exfoliate the clay to form the nanocomposite having the exfoliated clay being substantially dispersed throughout the polymer-clay melt, the pressure profile in FIG. 7B is denoted as  $P_B$ .

**[0031]** The pressure  $P_B$  in FIG. 7B may be adjusted to control exfoliation of the clay in the polymer-clay melt **42** similar to the manner in which the pressure  $P_A$  in FIG. 7A may be adjusted to control said exfoliation, except that the volume **13** around the plug type breaker plate **47** in FIG. 7B may be substantially smaller than the volume **12** around the torpedo type breaker plate **44** in FIG. 7A. Due to the

relatively smaller volume **13** in FIG. 7B as compared with the volume **12** in FIG. 7A, which facilitates a tendency toward higher pressure in the volume **13** than in the volume **12**, it is easier to maintain  $P_A$  above  $P_{CRIT}$  throughout the extruder **33** of FIG. 7A than to maintain  $P_B$  above  $P_{CRIT}$  throughout the extruder **33** of FIG. 7B. Accordingly, it is easier to design the extruder **33** to have the exfoliation of the clay in the polymer-clay melt **42** occurring exclusively outside of the extruder **33** in the embodiment of FIG. 7B than in the embodiment of FIG. 7A.

**[0032]** A necessary condition exists for efficient exfoliation of the polymer-clay mixture of the present invention and any polymer-clay mixture in general. The SCF **30** must preferentially migrate into the clay gallery of the polymer-clay mixture rather than migrate into the polymer matrix. Prior art does not address the migration phenomena. The SCF **30** is incorrectly assumed in the prior art to be in the clay gallery. Prior art neither provides any theoretical or experimental justification for the presence of the SCF **30** in the clay gallery nor explain or describe why such an environment, promoting preferential migration of a SCF **30**, would even exist. The preferential migration of the SCF **30** into the clay gallery rather than the polymer matrix is dependent upon satisfying the solubility relationships of Equations (7)-(8), described infra.

**[0033]** FIG. 3 depicts a table of solubility parameter values and absolute values of the difference of the solubility parameter values for polymers, supercritical fluids (SCF), and clays. Column **1** is a listing of polymers with column **2** listing the solubility parameter of the polymers ( $S_p$ ). Column **4** is a listing of SCFs with column **5** listing the solubility parameter of the SCF ( $S_{scf}$ ). Column **6** is a listing of clays with column **7** listing the solubility parameter of the clays ( $S_c$ ). Column **3** is a listing of values resultant from the argument  $|S_p - S_{scf}|$ . Column **8** is a listing of values resultant from the argument  $|S_c - S_{scf}|$ . All solubility parameter values are given in units of  $(\text{cal}/\text{cm}^3)^{0.5}$ .

**[0034]** The abbreviations for the polymers, SCFs, and clays are listed in FIG. 2 are explained below:

Polymer	
PS	Polystyrene
HDPE	High Density Polyethylene
LDPE	Low Density Polyethylene
PP	Poly(propylene)
PVDF	Poly(vinylidene fluoride)
PET	Poly(ethylene terephthalate)
PVA-VOH	Poly(vinyl acetate-co-vinyl alcohol)
POM	Poly(acetal)
PVDC	Poly(vinylidene chloride)
PVOH	Poly(vinyl alcohol)
PAN	Poly(acrylonitrile)
Clay	
Fluoro-1	Aliphatic fluorocarbons
Fluoro-2	Perfluoroalkylpolyethers
Siloxane	Quarternary ammonium terminated poly(dimethylsiloxane)
A-Ammonium	alkyl quarternary ammonium
	Supercritical Fluid (SCF)
CO <sub>2</sub>	Carbon dioxide
R-12	CF <sub>2</sub> Cl <sub>2</sub>

[0035] The solubility parameter (S) for organic liquids varies with temperature as shown by Eq. 1

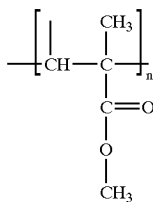
$$S = \sqrt{\frac{\Delta H - RT}{V}} \quad (1)$$

[0036] where  $\Delta H$  is the molar enthalpy of vaporization, R is the gas constant, T is the temperature in Kelvin, and V is the molar volume. For gases with low critical temperatures such as N<sub>2</sub>, He, H<sub>2</sub>, and O<sub>2</sub>, the solubility of the gases increase with temperature. Conversely for gases with high critical temperatures such as CO<sub>2</sub>, the solubility decreases with temperature.

[0037] The solubility parameter of a polymer, a clay, or liquid can be calculated using the simple but powerful group contribution method as shown in Eq. (2)

$$S = \frac{\sum_{i=1}^j E_i}{\sum_{i=1}^j V_i} \quad (2)$$

[0038] where E<sub>i</sub> is the molar attraction constant and V<sub>i</sub> is the molar volume constant for component i. Using the group contribution method, to a first approximation, the solubility parameters for many polymers can be estimated. For example, the solubility parameter for poly(methylmethacrylate) (PMMA)



[0039] can be determined using Eq. (2) above and Table 1 below.

TABLE 1

Molar Attraction and Volume Constants		
Group	E [cal * cm <sup>3</sup> ) <sup>0.5</sup> /mol]	V (cm <sup>3</sup> /mol)
CH3	218	31.8
CH2	132	16.5
<C>	-97	-14.8
COO	298	19.6

$$S = \frac{132 + 2(218) - 97 + 298}{16.5 + 2(31.8) - 14.8 + 19.6} = 9.1$$

[0040] The solubility parameter of PMMA is determined to be 9.1 (cal/cm<sup>3</sup>)<sup>0.5</sup> calculated by the group contribution method.

[0041] A supercritical fluid is any substance above its critical temperature and critical pressure. Supercritical fluids exhibit physicochemical properties intermediate between those of liquids and gases, i.e. solubilities approaching a liquid phase and diffusivities approaching a gas phase. The solubility parameter for CO<sub>2</sub> has been determined to be 3.5 (cal/cm<sup>3</sup>)<sup>0.5</sup> at a typical processing temperature of 177° C. and a pressure of 3,500 psi. At a given pressure and temperature, the CO<sub>2</sub> solubility parameter was calculated with the help of molecular dynamics software, Materials Studio v2.2 (Accelrys, Inc.). The calculated value of 3.5 (cal/cm<sup>3</sup>)<sup>0.5</sup> is in excellent agreement reported literature values. Table 2 lists properties of hydrochlorofluorocarbons (HCFCs) and chlorofluorocarbons (CFCs).

TABLE 2

Refrigerant Codes	Chemical Formula	Critical Points			S (cal/cm <sup>3</sup> ) <sup>0.5</sup>
		T <sub>c</sub>	P <sub>c</sub>	ρ <sub>c</sub>	
R-11	CFCl <sub>3</sub>	198	4.41	0.5539	7.6
R-12	CF <sub>2</sub> Cl <sub>2</sub>	112	4.13	0.5572	5.5
R-21	CHFCl <sub>2</sub>	178	5.18	0.5251	8.3
R-22	CHF <sub>2</sub> Cl	96	4.97	0.5209	8.3
R-112	C <sub>2</sub> Cl <sub>4</sub> F <sub>2</sub>	N/A	N/A	N/A	7.8
R-123	CHCl <sub>2</sub> CF <sub>3</sub>	184	3.67	N/A	7.8
R-142b	C <sub>2</sub> H <sub>3</sub> ClF <sub>2</sub>	137	4.12	0.4351	8.1
—	CO <sub>2</sub>	31	7.38	0.4682	—

[0042] From table 2, the average solubility parameter for HCFC and CFC is 8.0 (cal/cm<sup>3</sup>)<sup>0.5</sup> with R-12 being an exception.

[0043] The solubility parameter (S<sub>x</sub>), is related to the Gibbs free energy of mixing equation, Eq. 3

$$\Delta G = \Delta H - T\Delta S \quad (3)$$

[0044] where  $\Delta G$  is the Gibbs free energy of mixing,  $\Delta H$  is the enthalpy of mixing, and  $\Delta S$  is the entropy of mixing. For a binary system, the heat of mixing per unit volume is

$$\Delta H/V = (S_1 - S_2)\Phi_1\Phi_2 \quad (4)$$

[0045] where S is the solubility parameter and  $\Phi$  is the volume fraction. For Eq. 3 to be less than zero, i.e. thermodynamically miscible system, the solubility parameters S<sub>1</sub> and S<sub>2</sub> of Eq. 4 must be close to each other.

[0046] For systems that exhibit strong interactions between system components, such as hydrogen bonding, if the difference between the solubility parameters of the system components is less than 2.0 (cal/cm<sup>3</sup>)<sup>0.5</sup>, solubility can be expected. Strong solubility/affinity between system components would have solubility values that lie between 1.0 (cal/cm<sup>3</sup>)<sup>0.5</sup> and 2.0 (cal/cm<sup>3</sup>)<sup>0.5</sup>. The strongest solubility/affinity system components would have solubility values that are 1.0 (cal/cm<sup>3</sup>)<sup>0.5</sup> or less. This concept can be represented mathematically by the Equations (5) and (6).

$$|S_1 - S_2| \leq 2.0 \quad (5)$$

$$|S_1 - S_2| \leq 1.0 \quad (6)$$

[0047] Applying Equations (5) and (6) to the preferential migration of the SCF into a clay gallery, Equations (7) and (8) can be derived to represent a condition that must be satisfied if preferential migration of the SCF into a clay gallery is to occur.

$$|S_1 - S_2| \leq 2.0 \quad (7)$$

**[0048]** A second condition that must be satisfied for preferential migration of the SCF into a clay is represented by Eq. (8)

$$|S_p - S_{scf}| > |S_c - S_{scf}| \quad (8)$$

**[0049]** where  $S_c$ ,  $S_p$ , and  $S_{scf}$  are the solubility parameter of the clay, the polymer, and the supercritical fluid respectively.

**[0050]** As shown in FIG. 3 and the step 62 of FIG. 5, selecting a clay having a layered structure and a polymer, said selecting satisfying  $|S_p - S_{scf}| > |S_c - S_{scf}|$  and  $|S_c - S_{scf}| \leq 2.0$  ( $\text{cal}/\text{cm}^3$ )<sup>0.5</sup>, wherein  $S_p$  is a solubility parameter of the polymer,  $S_c$  is a solubility parameter of the clay; and  $S_{scf}$  is a solubility parameter of a supercritical fluid (SCF), of the method 60, to be used in the production of a polymer nanocomposite, the polymer must satisfy Equations (7) and (8).

$$|S_c - S_{scf}| \leq 2.0 \quad (7)$$

$$|S_p - S_{scf}| > |S_c - S_{scf}| \quad (8)$$

**[0051]** A candidate polymer for use in a polymer nanocomposite may be determined by substituting in Equations (7) and (8) the corresponding solubility parameter as well as the solubility parameters of the SCF and clay also to be used. If Equations (7) and (8) are satisfied, the polymer is considered to be a candidate polymer for use in a polymer nanocomposite. For example, to determine if PS would make a candidate polymer in a polymer nanocomposite with CO<sub>2</sub> as the SCF and a Fluoro-2 as the clay, the solubility parameters of the aforementioned would be substituted into the Equations (7) and (8). From FIG. 3, the solubility parameter of PS, CO<sub>2</sub>, and Fluoro-2 are 9.2, 3.5, and 4.5 respectively. Substitution into Equations (7) and (8) give:

$$|S_p - S_{scf}| > |S_c - S_{scf}| \quad |S_c - S_{scf}| \leq 2.0$$

$$|9.2 - 3.5| > |4.5 - 3.5| \quad |4.5 - 3.5| \leq 2.0$$

$$5.7 > 1.0 \quad 1.0 \leq 2.0$$

**[0052]** Having satisfied the Equations (7) and (8), PS is considered to be a candidate polymer for use in a polymer nanocomposite with CO<sub>2</sub> and Fluoro-1 as the SCF and the clay respectively.

**[0053]** Other examples of candidate polymers that satisfy Equations (7) and (8) are listed below with sample calculations. Solubility parameter values are from FIG. 3.

**[0054]** High Density Polyethylene (HDPE) with CO<sub>2</sub> and Fluoro-2

$$|S_p - S_{scf}| > |S_c - S_{scf}| \quad |S_c - S_{scf}| \leq 2.0$$

$$|8.0 - 3.5| > |4.5 - 3.5| \quad |4.5 - 3.5| \leq 2.0$$

$$4.5 > 1.0 \quad 1.0 \leq 2.0$$

**[0055]** Low Density Polyethylene (LDPE) with R-12 and Fluoro-1

$$|S_p - S_{scf}| > |S_c - S_{scf}| \quad |S_c - S_{scf}| \leq 2.0$$

$$|8.0 - 5.5| > |5.9 - 5.5| \quad |5.9 - 5.5| \leq 2.0$$

$$2.5 > 0.4 \quad 0.4 \leq 2.0$$

**[0056]** Poly(vinyl alcohol) (PVOH) with A-Ammonium and CFC  $|S_p - S_{scf}| > |S_c - S_{scf}|$

$$|S_c - S_{scf}| \leq 2.0$$

$$|12.6 - 8.0| > |8.0 - 8.0| \quad |8.0 - 8.0| \leq 2.0$$

$$4.6 > 0.0 \quad 0.0 \leq 2.0$$

**[0057]** A table of candidate polymers for use in polymer nanocomposites along with compatible SCFs and clays is listed below in Table 3. All the polymers listed along with the corresponding variations of compatible SCFs and clays satisfy Equations (7) and (8).

TABLE 3

Polymer Type	SCF Type	Clay Type
PS	CO <sub>2</sub>	Fluoro-2
PS	CO <sub>2</sub>	Siloxane
HDPE	CO <sub>2</sub>	Fluoro-2
HDPE	CO <sub>2</sub>	Siloxane
LDPE	CO <sub>2</sub>	Fluoro-2
LDPE	CO <sub>2</sub>	Siloxane
PP	CO <sub>2</sub>	Fluoro-2
PP	CO <sub>2</sub>	Siloxane
PVDF	CO <sub>2</sub>	Fluoro-2
PVDF	CO <sub>2</sub>	Siloxane
PS	R-12	Fluoro-1
PS	R-12	Fluoro-2
PS	R-12	Siloxane
HDPE	R-12	Fluoro-1
HDPE	R-12	Fluoro-2
HDPE	R-12	Siloxane
LDPE	R-12	Fluoro-1
LDPE	R-12	Fluoro-2
LDPE	R-12	Siloxane
PP	R-12	Fluoro-1
PP	R-12	Fluoro-2
PP	R-12	Siloxane
nylon 6	HCFC, CFC	A-Ammonium
PET	HCFC, CFC	A-Ammonium
PVA-VOH	HCFC, CFC	A-Ammonium
POM	HCFC, CFC	A-Ammonium
PVDC	HCFC, CFC	A-Ammonium
PVOH	HCFC, CFC	A-Ammonium
nylon 6, 6	HCFC, CFC	A-Ammonium
PAN	HCFC, CFC	A-Ammonium

**[0058]** If Equations (7) and (8) are not satisfied, the polymer is considered not to be a candidate polymer for use in a polymer nanocomposite. For example, from FIG. 3, the solubility parameter of PS (8.0), A-Ammonium (8.0), and CO<sub>2</sub> (3.5) would be substituted into the Equations (7) and (8).

$$|S_p - S_{scf}| > |S_c - S_{scf}| \quad |S_c - S_{scf}| \leq 2.0$$

$$|8.0 - 3.5| > |8.0 - 3.5| \quad |8.0 - 3.5| \leq 2.0$$

$$4.5 > 1.0 \quad 4.5 \leq 2.0$$

**[0059]** Not having satisfied Equations (7) and (8), PS is not considered to be a candidate polymer for use in a polymer nanocomposite with CO<sub>2</sub> and A-Ammonium as the SCF and the clay respectively.

**[0060]** Other examples of polymers that do not satisfy Equations (7) and (8) are listed below with sample calculations.

**[0061]** LDPE with CO<sub>2</sub> and A-Ammonium

$$|S_p - S_{scf}| > |S_c - S_{scf}| \quad |S_c - S_{scf}| \leq 2.0$$

$$|8.0 - 3.5| > |8.0 - 3.5| \quad |8.0 - 3.5| \leq 2.0$$

$$4.5 > 4.5 \quad 4.5 \leq 2.0$$

**[0062]** Poly(vinylidene fluoride) (PVDF) with CO<sub>2</sub> and A-Ammonium

$$|S_p - S_{scf}| > |S_c - S_{scf}| \quad |S_c - S_{scf}| \leq 2.0$$

$$|8.0 - 3.5| > |8.0 - 3.5| \quad |8.0 - 3.5| \leq 2.0$$

$$3.1 > 4.5 \quad 4.5 \leq 2.0$$

[0063] A table of polymers for that would not be candidates for use in polymer nanocomposites along with the SCFs and the clays is listed in Table 4 below.

TABLE 4

Polymer	SCF	Clay
PVDF	CO <sub>2</sub>	A-Ammonium
HDPE	CO <sub>2</sub>	A-Ammonium
LDPE	CO <sub>2</sub>	A-Ammonium
PS	CO <sub>2</sub>	A-Ammonium
PP	CO <sub>2</sub>	A-Ammonium
nylon 6	CO <sub>2</sub>	A-Ammonium
PET	CO <sub>2</sub>	A-Ammonium
PVA-VOH	CO <sub>2</sub>	A-Ammonium
POM	CO <sub>2</sub>	A-Ammonium
PVDC	CO <sub>2</sub>	A-Ammonium
PVOH	CO <sub>2</sub>	A-Ammonium
nylon 6, 6	CO <sub>2</sub>	A-Ammonium
PAN	CO <sub>2</sub>	A-Ammonium

[0064] In choosing the candidate polymers for the use in polymer nanocomposites, the polymers listed in FIG. 3 and table 3 are not meant to limit the scope of the polymers that may be chosen in an embodiment of the present invention. Any polymer that has a solubility parameter satisfying Equations (7) and (8), whether measured or theoretically calculated, may be used in the method 1 for producing polymer nanocomposites.

[0065] The candidate polymers may be selected from a group including but not limited to high density polyethylene, low density polyethylene, nylon 6, nylon 6, 6, poly(acrylonitrile), poly(ethylene terephthalate), poly(acetal), poly(propylene), polystyrene, poly(vinyl acetate-co-vinyl alcohol), poly(vinylidene chloride), poly(vinylidene fluoride), poly(vinyl alcohol), and the like.

[0066] As shown in FIG. 3 and the step 62 of FIG. 5, selecting a clay having a layered structure and a polymer, said selecting satisfying Equations (7) and (8).

$$|S_c - S_{scf}| \leq 2.0 \tag{7}$$

$$|S_c - S_{scf}| < |S_p - S_{scf}| \tag{8}$$

[0067] A candidate clay for use in a polymer nanocomposite may be determined by substituting in Equations (7) and (8) the corresponding solubility parameter of the clay as well as the solubility parameters of the SCF and the polymer also to be used.

[0068] If Equations (7) and (8) are satisfied, the clay is considered to be a candidate clay for use in a polymer nanocomposite. For example, to determine if A-Ammonium would make a candidate clay in a reinforced nanocomposite with CFC as the SCF and a nylon-6 as the polymer, the solubility parameters of the aforementioned would be substituted into the Equations (7) and (8). From FIG. 3, the solubility parameter of A-Ammonium, CFC, and nylon-6 are 8.0, 8.0, and 10.1 respectively. Substitution into Equations (7) and (8) give:

$$|S_c - S_{scf}| < |S_p - S_{scf}| \tag{7}$$

$$|8.0 - 8.0| < |10.1 - 8.0| \tag{8}$$

$$0.0 < 6.6 \tag{7}$$

[0069] Having satisfied the Equations (7) and (8), A-Ammonium is considered to be a candidate clay for use in a reinforced nanocomposite with CFC and nylon-6 as the SCF and polymer respectively.

[0070] Other examples of candidate clays that satisfy Equations (7) and (8) are listed below with sample calculations. The solubility parameter values are from FIG. 3.

[0071] Quarternary ammonium terminated PDMS (Siloxane) with R-12 and HDPE

$$|S_c - S_{scf}| \leq 2.0$$

$$|5.4 - 5.5| < |8.0 - 5.5| \tag{7}$$

$$0.1 < 2.5 \tag{8}$$

[0072] Fluoro-2 with CO<sub>2</sub> and Poly(propylene) (PP)

$$|S_c - S_{scf}| \leq 2.0$$

$$|4.5 - 3.5| < |8.0 - 3.5| \tag{7}$$

$$1.0 < 4.5 \tag{8}$$

[0073] A-Ammonium with HCFC and PVOH

$$|S_c - S_{scf}| \leq 2.0$$

$$|8.0 - 8.0| < |12.6 - 8.0| \tag{7}$$

$$0.0 < 4.6 \tag{8}$$

[0074] A table of candidate clays for use in polymer nanocomposites along with compatible SCFs and polymers is listed below in Table 5. All the clays listed along with the compatible SCFs and polymers satisfy Equations (7) and (8).

TABLE 5

Clay	Supercritical Fluid	Polymer
A-Ammonium	HCFC, CFC	nylon 6
A-Ammonium	HCFC, CFC	PET
A-Ammonium	HCFC, CFC	PVA-VOH
A-Ammonium	HCFC, CFC	POM
A-Ammonium	HCFC, CFC	PVDC
A-Ammonium	HCFC, CFC	PVOH
Fluoro-1	R-12	PS
Fluoro-1	R-12	HDPE
Fluoro-1	R-12	LDPE
Fluoro-1	R-12	PP
Fluoro-2	CO <sub>2</sub>	PS
Fluoro-2	CO <sub>2</sub>	HDPE
Fluoro-2	CO <sub>2</sub>	LDPE
Fluoro-2	CO <sub>2</sub>	PP
Fluoro-2	CO <sub>2</sub>	PVDF
Fluoro-2	R-12	PS
Fluoro-2	R-12	HDPE
Fluoro-2	R-12	LDPE
Fluoro-2	R-12	PP
Siloxane	CO <sub>2</sub>	PS
Siloxane	CO <sub>2</sub>	HDPE
Siloxane	CO <sub>2</sub>	LDPE
Siloxane	CO <sub>2</sub>	PP
Siloxane	CO <sub>2</sub>	PP
Siloxane	R-12	PS
Siloxane	R-12	HDPE
Siloxane	R-12	LDPE
Siloxane	R-12	PP

[0075] If Equations (7) and (8) are not satisfied, the clay is not considered to be a candidate clay for use in a polymer nanocomposite. For example, to determine if the clay A-Ammonium is a candidate polymer; the solubility parameter of A-Ammonium (8.0), CO<sub>2</sub> (3.5), and PVDF (6.6) and would be substituted into the Equations (7) and (8).

$$|S_c - S_{scf}| \leq 2.0$$

$$|8.0 - 3.5| < |6.6 - 3.5| \tag{7}$$

$$4.5 > 4.1 \tag{8}$$

**[0076]** Not having satisfied the argument of Equations (7) and (8), A-Ammonium is not considered to be a candidate clay for use in a polymer nanocomposite with CO<sub>2</sub> and PVDF as the SCF and polymer respectively.

**[0077]** Other examples of clays that do not satisfy Equations (7) and (8) are listed below with sample calculations.

**[0078]** A-Ammonium with CO<sub>2</sub> and Nylon 6

$$|S_c - S_{scf}| < |S_c - S_{scf}| |S_c - S_{scf}| \leq 2.0$$

$$|8.0 - 3.5| < |10.1 - 3.5| |8.0 - 3.5| \leq 2.0$$

$$4.5 < 6.6 \quad 4.5 < 2.0$$

**[0079]** A-Ammonium with CO<sub>2</sub> and PVOH

$$|S_c - S_{scf}| > |S_p - S_{scf}| |S_c - S_{scf}| \leq 2.0$$

$$|8.0 - 3.5| > |12.6 - 3.5| |8.0 - 3.5| \leq 2.0$$

$$4.5 < 9.1 \quad 4.5 < 2.0$$

**[0080]** A table of clays for that would not be candidates for use in polymer nanocomposites along with the SCFs and polymers is listed below in Table 6.

TABLE 6

Clay	SCF	Polymer
A-Ammonium	CO <sub>2</sub>	PVDF
A-Ammonium	CO <sub>2</sub>	HDPE
A-Ammonium	CO <sub>2</sub>	LDPE
A-Ammonium	CO <sub>2</sub>	PS
A-Ammonium	CO <sub>2</sub>	PP
A-Ammonium	CO <sub>2</sub>	nylon 6
A-Ammonium	CO <sub>2</sub>	PET
A-Ammonium	CO <sub>2</sub>	PVA-VOH
A-Ammonium	CO <sub>2</sub>	POM
A-Ammonium	CO <sub>2</sub>	PVDC
A-Ammonium	CO <sub>2</sub>	PVOH
A-Ammonium	CO <sub>2</sub>	nylon 6, 6
A-Ammonium	CO <sub>2</sub>	PAN

**[0081]** In choosing the candidate clays for the use in polymer nanocomposites, the clays listed in FIG. 3 and table 5 are not meant to limit the scope of the clays that may be chosen in an embodiment of the present invention. Any clay that has a solubility parameter satisfying Equations (7) and (8), whether measured or theoretically calculated, may be used in the method 60, for producing polymer nanocomposites.

**[0082]** The use of the term clay is not meant to limit the scope of the type of clay that may be selected for the method 60, producing polymer nanocomposites. The term clay, as used in the present invention, encompass clays that are modified as well as non-modified. Modified clays are clays that have an intercalant coupled to the clay by methods known to one ordinarily skilled in the art. The intercalant may be organic or inorganic in nature, and combinations thereof. The nature of the intercalant defines the nature of the modified clay. For example, a clay having an organic intercalant coupled to the clay is considered to be an organically modified clay. Analogously, a clay having an inorganic intercalant coupled to the clay is an inorganically modified clay. Generally, the solubility parameter of the clay is controlled by the solubility parameter of the intercalant coupled to the clay, i.e. the solubility of the intercalant is representative of the clay as whole.

**[0083]** A clay is but one member of larger category known as swelling material. Swelling materials are comprised of phyllosilicates such as smectite clays; naturally or synthetic, montmorillonite, saponite, hectorite, vermiculite, beidellite, stevensite, and the like. All of which may be used for producing polymer nanocomposites. Any swelling material that has a solubility parameter satisfying Equations (7) and (8), whether measured or theoretically calculated, and is capable of exfoliation by the methods presented in accordance with the present invention, may be used in the method 60, for producing polymer nanocomposites. A filler refers to a group of materials comprising glass fibers, carbon fibers, carbon nanotubes, talc, mica, and the like. Fillers may be used in combination with swelling agents, such as clays, for use in the production of polymer nanocomposites.

**[0084]** In selecting the SCFs for the use in producing polymer nanocomposites, the SCFs listed in FIG. 3 are not meant to limit the scope of the SCFs that may be chosen in an embodiment of the present invention. Any SCF that has a solubility parameter satisfying Equations (7) and (8), whether measured or theoretically calculated, may be used in the method 60, for producing polymer nanocomposites.

**[0085]** Examples of SCFs that may be selected include but are not limited to hydrocarbons such as propane, n-butane, iso-butane, n-pentane, iso-pentane, 2,2-dimethylpropane, 1-pentene, cyclopentene, n-hexane, 2-methylpentane, 3-methylpentane, 2,3-dimethylpentane, 2,2-dimethylbutane, 1-hexene, cyclohexane, n-heptane, 2-methylhexane, 2,2-dimethylpentane, 2,3-dimethylpentane, 2,4-dimethylpentane, 3,3-dimethylpentane, 3-ethylpentane, 2,3,3-trimethylbutane, 1-heptene, and the like; alcohols such as methanol, ethanol, 2-propanol, and the like; ketones such as acetone, methyl ethyl ketone, and the like; ethers such as ethyl ether, isopropyl ether, and the like; chlorinated hydrocarbons such as dichloromethane, trichloromethane, trichloroethylene, tetrachloromethane, 1,2-dichloroethane, and the like; fluorinated hydrocarbons such as tetrafluoromethane, trifluoromethane, hexafluoroethane, difluoroethane, tetrafluoroethane, and the like; and chlorofluorohydrocarbons such as trichlorofluoromethane, dichlorodifluoromethane, chlorotrifluoromethane, dichlorofluoromethane, chlorodifluoromethane, tetrachlorodifluoroethane, trichlorotrifluoroethane, dichlorotetrafluoroethane, chloropentafluoroethane, dichlorofluoroethane, chlorotetrafluoroethane, chlorodifluoroethane, and the like.

**[0086]** Selecting the polymer, the clay, and the SCF as previously described, to form polymer nanocomposites is not meant to limit the scope of the number of the aforementioned that may be used to form a polymer nanocomposite. For example, two polymers and one clay may be selected satisfying equations (7)-(8) inconjunction with the SCF to form a polymer nanocomposite in accordance with the method and system of the present invention. Another example may be selecting one polymer and two clays that satisfy equations (7)-(8) inconjunction with the SCF to form a polymer nanocomposite. Polymer nanocomposites can be formed by selecting polymers and the clays satisfying equations (7)-(8) inconjunction with the SCFs and combinations thereof in accordance with the method and system of the present invention. Generally, one or more clays may be used with one or more polymers in conjunction with one or more SCFs. Generally, each distinct combination of one clay, one polymer, and one SCF must satisfy Equation (7)-(8).



[0087] As explained supra, the present invention controls the uniformity of dispersion of the clay within the polymer matrix by adjusting the solubilities  $S_p$ ,  $S_c$ , and  $S_{scf}$  in accordance with Equations (7)-(8). For convenience, Equation (7)-(8) can be rewritten in the following equivalent form:

$$F_1 < 1 \quad (9)$$

$$F_2 \leq 1 \quad (10)$$

[0088] where

$$F_1 = |S_c - S_{scf}| / |S_p - S_{scf}| \quad (11)$$

$$F_2 = |S_c - S_{scf}| / 2 \quad (12)$$

[0089] The extent to which the clay is uniformly dispersed in the polymer matrix by the exfoliation method of the present invention may be empirically determined as a function of  $F_1$  and  $F_2$  as follows. Let the  $\sigma$  represent the degree of dispersion of the clay within the polymer following the exfoliation.  $\sigma$  may be defined, inter alia, as the standard deviation of the distances between the centroids of the clay particles distributed within the polymer matrix; i.e.,

$$\sigma = [\sum_i (D(I) - D_{AVE})^2 / N]^{1/2} \quad (13)$$

$$D_{AVE} = [\sum_i D(I)] / N \quad (14)$$

[0090] where  $N$  is the number of pairs of clay particles in the polymer matrix,  $\sum_i$  denotes summation with respect to the index  $I$  from  $I=1$  to  $I=N$ ,  $D(I)$  is the distance between centroids of the two clay particles of the  $I^{\text{th}}$  pair of clay particles in the polymer matrix ( $I=1, 2, \dots, N$ ), and  $D_{AVE}$  is the average of the  $N$  distances  $D(I)$ . Alternatively,  $D_{AVE}$  could be computed as a weighted average for any purpose such as, inter alia, to differentiate the importance of different portions of the polymer matrix or to diminish the effect of outliers. The distances  $D(I)$  may be determined by measurement, through analysis of the locations of the clay particles within the polymer matrix following the exfoliation. It is not necessary to analyze all pairs of clay particles in the polymer matrix, and the value of  $N$  reflects the number of such pairs of clay particles actually used in the numerical analysis.  $N$  should be large enough to assure the desired statistical accuracy in the calculation of  $\sigma$ .

[0091] To obtain  $\sigma$  as a function of  $F_1$  and  $F_2$ , one could vary  $F_1$  while holding  $F_2$  constant. For example, one could select a first SCF (e.g.,  $\text{CO}_2$ ) and a first clay such that  $F_2$  is 0.3 and select three different polymers such that  $F_1$  is 0.3, 0.6, and 0.9, respectively, which enables  $\sigma$  to be determined by measurement, resulting in the curve **101** in **FIG. 4**, in accordance with embodiments with the present invention. Next, one could select the first SCF and a second clay such that  $F_2$  is 0.6 and select another three different polymers such that  $F_1$  is 0.3, 0.6, and 0.9, which enables  $\sigma$  to be determined by measurement, resulting in the curve **102** in **FIG. 4**. Again, one could select the second SCF and a third clay such that  $F_2$  is 0.9 and select yet another three different polymers, which enables  $\sigma$  to be determined by measurement, resulting in the curve **103** in **FIG. 4**.

[0092] While the curves **101**, **102**, and **103** are shown in **FIG. 4** as linear, the actual shapes of the  $\sigma$  versus  $F_1$  curves **101**, **102**, and **103** result from the empirically determined values of  $\sigma$  for the fixed  $F_2$  and varying  $F_1$ . In practice, the curves **102-103** may be either linear or non-linear. Alternatively, each plotted curve could represent  $\sigma$  versus  $F_2$  with  $F_1$  being constant for each curve. In addition, one could repeat

the preceding process for a second SCF (e.g., R-12) to obtain another set of curves analogous to the curves **101**, **102**, and **103** of **FIG. 4**.

[0093] While  $F_1$  has the same set of plotted values (i.e., 0.3, 0.6, 0.9) on each of curves **101-103** in **FIG. 4**, the selected polymers for curves **101-103** may result in a different set of plotted values of  $F_1$  in each of curves **101-103**. Also, the number of plotted points on each of curves **101-103** may be the same number of plotted points (e.g., 3 as shown in **FIG. 4**) or a different number of plotted points for each curve.

[0094] **FIG. 5** depicts a flow chart of method **60**, forming a polymer nanocomposite comprising: the step **62**; selecting a clay having a layered structure and a polymer, said selecting satisfying  $|S_p - S_{scf}| > |S_c - S_{scf}|$  and  $|S_c - S_{scf}| \leq 2.0$ , wherein  $S_p$  is a solubility parameter of the polymer,  $S_c$  is a solubility parameter of the clay; and  $S_{scf}$  is a solubility parameter of a supercritical fluid (SCF); the step **63**, mixing the polymer and the clay to form a polymer-clay mixture; the step **64**, melting the polymer-clay mixture to form a polymer-clay melt; the step **65**, initially contacting the polymer-clay melt with the SCF while the SCF is subject to an initial pressure exceeding the critical pressure of the SCF and to a temperature exceeding the critical temperature of the SCF; and the step **66**, after said initially contacting step, further contacting the polymer-clay melt with the SCF while the SCF is subject to a lower pressure that is less than the critical pressure of the SCF so as to exfoliate the clay to form the nanocomposite having the exfoliated clay being substantially dispersed throughout the polymer-clay melt.

[0095] **FIG. 6** depicts an embodiment of the present invention, polymer nanocomposite **46** in which the SCF **30** has been removed. The polymer-clay mixture, i.e. the polymer-clay melt **42**, comprising a polymer **56** and a layered clay **57**, is contacted with the supercritical fluid **30** at the supercritical pressure and the supercritical temperature of the fluid. The SCF **30** preferentially migrates to the clay gallery **58** and exfoliates the clay **57** of the clay gallery **58**. The result is a polymer nanocomposite **46** having the clay **57** dispersed uniformly throughout the polymer **56**.

[0096] The foregoing description of the embodiments of this invention has been presented for purposes of illustration and description. It is not intended to be exhaustive or to limit the invention to the precise form disclosed, and obviously, many modifications and variations are possible. Such modifications and variations that may be apparent to a person skilled in the art are intended to be included within the scope of this invention as defined by the accompanying claims.

I claim:

1. A method of forming a polymer nanocomposite comprising the steps of:

selecting a clay having a layered structure and a polymer, said selecting satisfying

$$|S_p - S_{scf}| > |S_c - S_{scf}|$$

and

$$|S_c - S_{scf}| \leq 2.0 \text{ (cal/cm}^3\text{)}^{0.5},$$

wherein  $S_p$  is a solubility parameter of the polymer,  $S_c$  is a solubility parameter of the clay; and  $S_{scf}$  is a solubility parameter of a supercritical fluid (SCF);

- mixing the polymer and the clay to form a polymer-clay mixture;
- melting the polymer-clay mixture to form a polymer-clay melt;
- initially contacting the polymer-clay melt with the SCF while the SCF is subject to an initial pressure exceeding the critical pressure of the SCF and to a temperature exceeding the critical temperature of the SCF; and
- after said initially contacting step, further contacting the polymer-clay melt with the SCF while the SCF is subject to a lower pressure that is less than the critical pressure of the SCF so as to exfoliate the clay to form the nanocomposite having the exfoliated clay being substantially dispersed throughout the polymer-clay melt.
2. The method of claim 1, wherein during the initially contacting and further contacting steps the SCF is subject to a pressure which decreases monotonically from the initial pressure to the lower pressure.
3. The method of claim 1, wherein during the initially contacting and further contacting steps the SCF is subject to a pressure which decreases non-monotonically from the initial pressure to the lower pressure.
4. The method of claim 1, wherein during the initially contacting and further contacting steps the SCF is subject to a pressure which varies essentially continuously from the initial pressure to the lower pressure.
5. The method of claim 1, wherein during the initially contacting and further contacting steps the SCF is subject to a pressure which varies essentially discontinuously from the initial pressure to the lower pressure.
6. The method of claim 1, wherein the initially contacting and further contacting steps include flowing the polymer-clay melt and the SCF within an extruder and through a first region along a screw comprised by the extruder and through a second region in the extruder beyond screw such that the polymer-clay melt and SCF exit the extruder at a bounding surface of the second region to a third region outside the extruder.
7. The method of claim 6, wherein the lower pressure exists within the first region.
8. The method of claim 6, wherein the lower pressure does not exist within the first region, and wherein the lower pressure exists within the second region.
9. The method of claim 6, wherein the lower pressure does not exist within the extruder, and wherein the lower pressure exists within the third region.
10. The method of claim 1, wherein during the initially contacting step the SCF preferentially migrates toward the layered structure of the clay.
11. The method of claim 1, wherein mixing the polymer and the clay is performed using a co-rotating twin screw extruder.
12. The method of claim 11, wherein the co-rotating twin screw extruder operates at a temperature range from about 200° C. to about 250° C., a screw speed from about 200 rpm to about 500 rpm, and a throughput from about 10 kg/hr to about 400 kg/hr.
13. The method of claim 11, wherein a die of the co-rotation twin extruder operates at a temperature from about 200° C. to about 270° C.
14. The method of claim 1, wherein the polymer is selected from a group consisting of high density polyethyl-

ene, low density polyethylene, nylon 6, nylon 6, 6, poly(acrylonitrile), poly(ethylene terephthalate), poly(acetal), poly(propylene), polystyrene, poly(vinyl acetate-co-vinyl alcohol), poly(vinylidene chloride), poly(vinylidene fluoride), and poly(vinyl alcohol).

15. The method of claim 1, wherein the clay comprises at least one of an aliphatic fluorocarbon, perfluoroalkylpolyether, quarternary ammonium terminated poly(dimethylsiloxane), an alkyl quarternary ammonium complex, glass fibers, carbon fibers, carbon nanotubes, talc, mica, natural smectite clay, synthetic smectite clay, montmorillonite, saponite, hectorite, vermiculite, beidellite, or stevensite.

16. The method of claim 1, wherein the supercritical fluid comprises at least one of a hydrocarbon, a chlorinated hydrocarbon, a fluorinated hydrocarbon, a chlorofluorohydrocarbon, an alcohol, a ketone, an ether, CO<sub>2</sub>, H<sub>2</sub>O, N<sub>2</sub>, or O<sub>2</sub>.

17. A system for forming a polymer nanocomposite, comprising:

a polymer-clay melt of a clay having a layered structure and a polymer; and

a supercritical fluid (SCF) in physical contact with the polymer-clay melt, wherein the clay, the polymer, and the SCF collectively satisfy  $|S_p - S_{scf}| > |S_c - S_{scf}|$  and  $|S_c - S_{scf}| \leq 2.0 \text{ (cal/cm}^3)^{0.5}$ , and wherein  $S_p$  is a solubility parameter of the polymer,  $S_c$  is a solubility parameter of the clay; and  $S_{scf}$  is a solubility parameter of the SCF.

18. The system of claim 17, wherein the SCF is subject to a pressure exceeding the critical pressure of the SCF and to a temperature exceeding the critical temperature of the SCF.

19. The system of claim 17, wherein the SCF is subject to a pressure less than the critical pressure of the SCF.

20. The system of claim 17, wherein the polymer-clay melt and the SCF are flowing together in a same direction.

21. The system of claim 20, further comprising an extruder, wherein the extruder includes a first region and second region, wherein the first region has a screw therein, wherein the second region extends from an end of the first region to an end of the extruder, and wherein the SCF is flowing within the first and second regions of the extruder.

22. The system of claim 21, wherein the SCF is subject to a pressure exceeding the critical pressure of the SCF and to a temperature exceeding the critical temperature of the SCF while flowing in the first region.

23. The system of claim 21, wherein the SCF is subject to a pressure exceeding the critical pressure of the SCF and to a temperature exceeding the critical temperature of the SCF while flowing in the second region.

24. The system of claim 21, wherein the SCF is subject to a pressure less than the critical pressure of the SCF while flowing in the second region.

25. The system of claim 21, wherein the SCF is subject to a pressure exceeding the critical pressure of the SCF and to a temperature exceeding the critical temperature of the SCF while flowing in the first and second regions.

26. The method of claim 17, wherein the polymer is selected from the group consisting of high density polyethylene, low density polyethylene, nylon 6, nylon 6, 6, poly(acrylonitrile), poly(ethylene terephthalate), poly(acetal), poly(propylene), polystyrene, poly(vinyl acetate-co-vinyl alcohol), poly(vinylidene chloride), poly(vinylidene fluoride), and poly(vinyl alcohol).

**27.** The method of claim 17, wherein the clay comprises at least one of an aliphatic fluorocarbon, perfluoroalkylpolyether, quarternary ammonium terminated poly(dimethylsiloxane), an alkyl quarternary ammonium complex, glass fibers, carbon fibers, carbon nanotubes, talc, mica, natural smectite clay, synthetic smectite clay, montmorillonite, saponite, hectorite, vermiculite, beidellite, or stevensite.

**28.** The method of claim 17, wherein the supercritical fluid comprises at least one of a hydrocarbon, a chlorinated hydrocarbon, a fluorinated hydrocarbon, a chlorofluorohydrocarbon, an alcohol, a ketone, an ether, CO<sub>2</sub>, H<sub>2</sub>O, N<sub>2</sub>, or O<sub>2</sub>.

\* \* \* \* \*